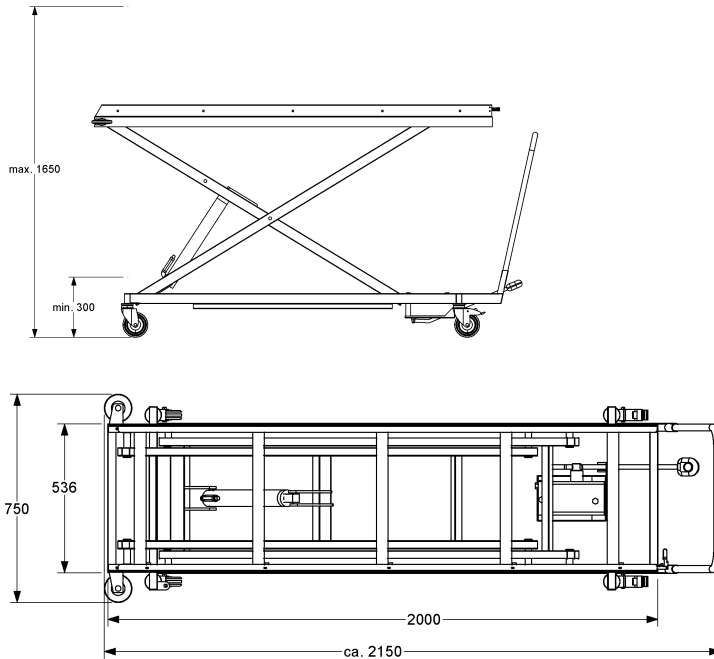


Lift and Transport Truck HTW 51/100 Completely Made of Stainless Steel



The lift- and transport truck has a rugged, torsion-resistant frame structure and is completely made of stainless steel (Material no. 1.4301 – ANSI 304). Additionally it has a smoothly running, integrated hydraulic unit for foot-actuated vertical adjustment for easy handling and 4 steerable solid rubber wheels, 2 of them lockable, 1 enabling locking as regards to the direction, $d = 125$ mm with special roller bearings, permanently lubricated and maintenance-free. The low deadweight permits straightforward shunting and operation of the lift and transport truck. A special valve ensures even lowering at various loads. A stainless steel roller track comprising 5 carrying rollers of corrosion-resistant material and plastic coating has been arranged on top of the truck. A holding device secures the body tray or coffin plate lying on it. The slide handle of the lift and transport truck can be removed. An anti-collision buffer is mounted to the front end.

Technical Data:

Dimensions lowest Position W/D/H:	2150 x 750 x 320 mm
Dimensions highest Position W/D/H:	2150 x 750 x 1650 mm
Carrying capacity:	max. 250 kg
Dead weight:	approx. 100 kg
Material:	Stainless steel (Material No. 1.4301 – ANSI 304)
Type:	HTW 51/100
Article No.:	050.090.010

Lift and Transport Truck HTW 51/100 – 350 kg

Material: Stainless steel Article-No.: 050.090.012

TekEquipment™

AU 1300 368 138

NZ 0800 456 217

tekequipment.com.au



FS521104

KUGEL medical GmbH & Co. KG
Hermann-Köhl-Str. 2A
DE - 93049 Regensburg/Germany

Phone +49/941/20 86 48-0
Fax +49/941/20 86 48-29
www.KUGEL-medical.de



KUGEL
medical