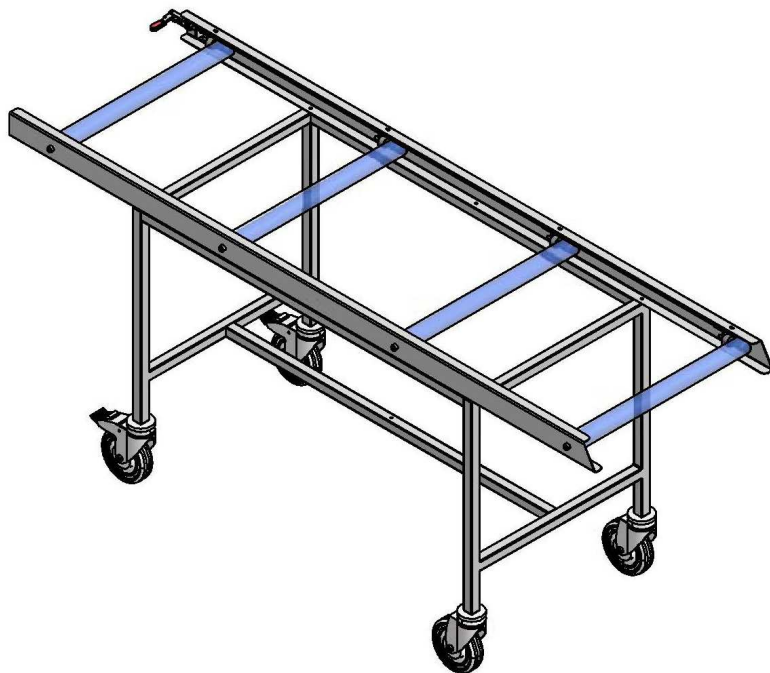


Transport Truck TW 52/050-RB



The Transport Truck TW 52/050-RB has a rugged, torsion-resistant frame structure of stainless steel profiles. 4 solid rubber wheels, 2 of them lockable, diameter 125 mm with special roller bearings, permanently lubricated and maintenance-free, ensure an absolutely noiseless movement. The top of the transport truck is equipped with a roller track made of stainless steel with 4 rollers and a holding device for the body tray or coffin plate.

Technical Data:

Dimensions W/D/H:	1750 x 625 x 850 mm
Carrying capacity:	max. 200 kg
Dead weight:	approx. 45 kg
Material:	Stainless steel (Material No. 1.4301 – ANSI 304)
Type:	TW 52/050-RB
Article No.:	050.150.065

TekEquipment™

Ph: 1300 368 138

www.tekequipment.com.au

info@tekequipment.com.au

TekMed NZ™

Ph: 0800 456 217

info@tekmed.co.nz

www.tekmed.co.nz

KUGEL medical GmbH & Co. KG
Hermann-Köhl-Str. 2A
DE - 93049 Regensburg/Germany

Phone +49/941/20 86 48-0
Fax +49/941/20 86 48-29
www.KUGEL-medical.de



KUGEL
medical
■ ■ ■ ■